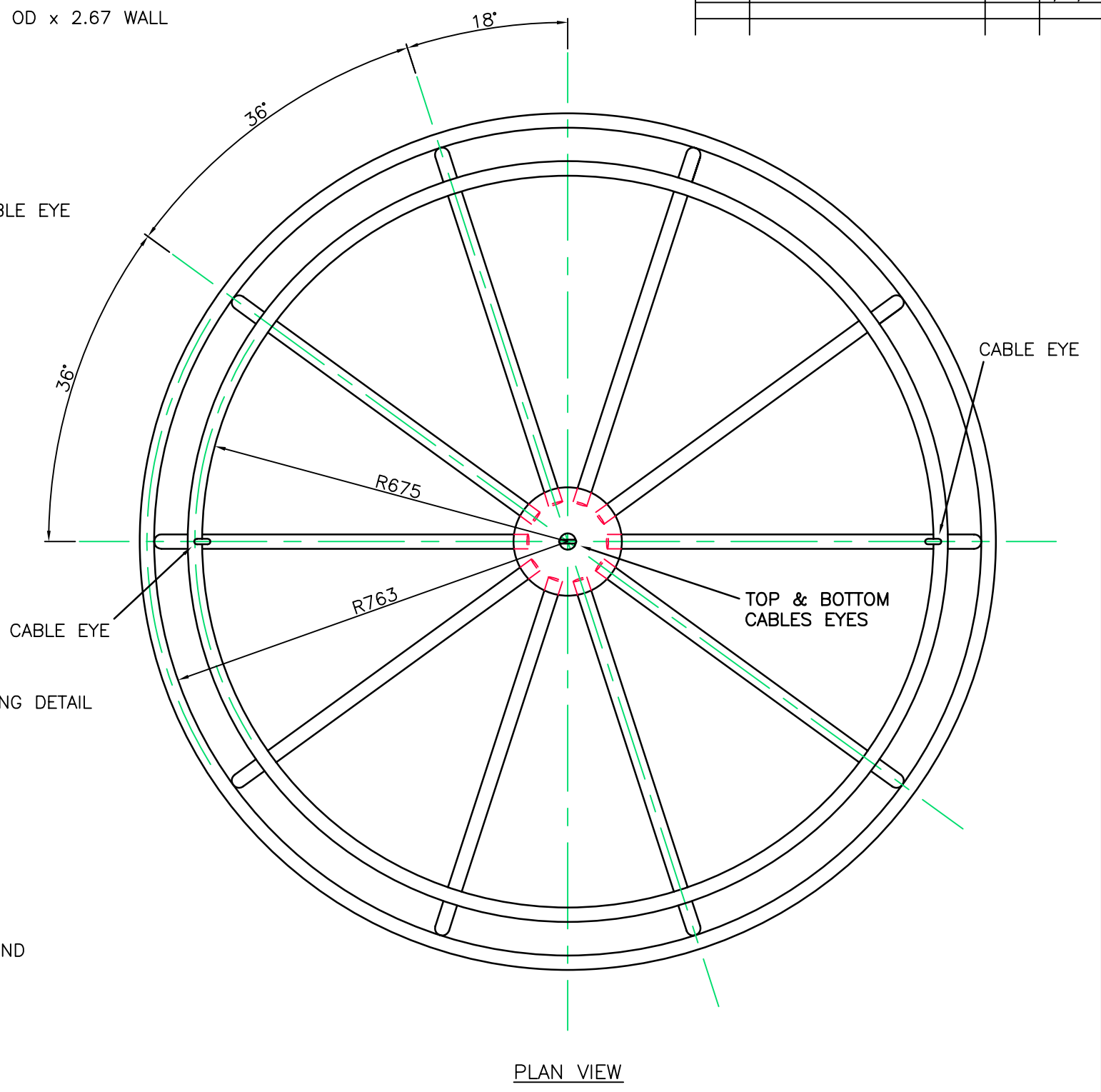
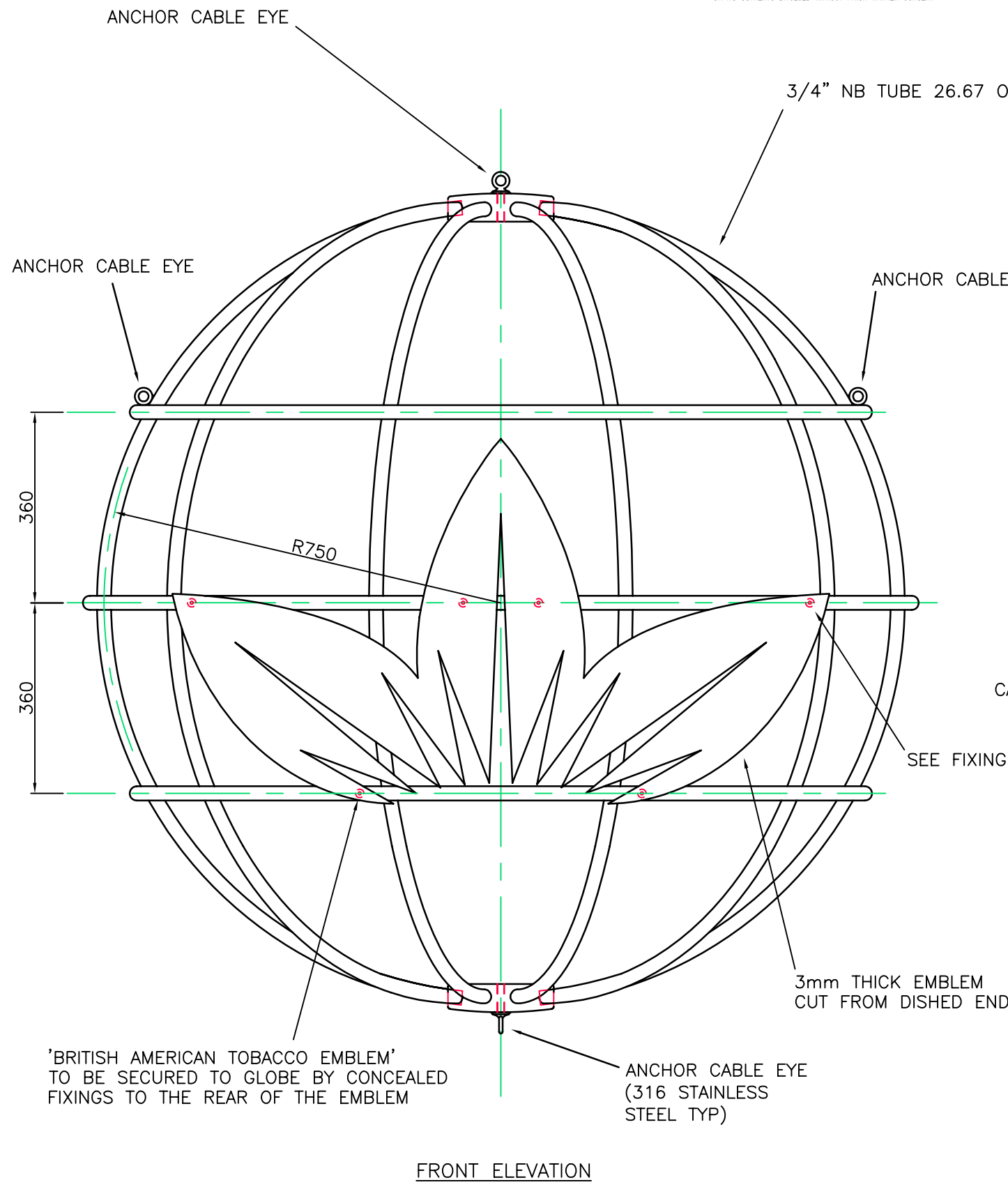


THIS DRAWING IS THE PROPERTY OF BENSON-SEDGWICK ENG. LTD.
IT IS A CONFIDENTIAL DOCUMENT AND MUST NOT BE COPIED, USED
OR ITS CONTENTS DIVULGED WITHOUT PRIOR WRITTEN CONSENT

REV.	DESCRIPTION	DRN.	DATE
A	ISSUED FOR APPROVAL	JP	31/07/03
B	DRAWING COMPLETED	JP	10/11/03
C	GENERAL AMMENDMENTS	JP	15/12/03
D	EMBLEM FIXING NOTE ADDED	JP	04/02/04
E	AS BUILT & FIXED ISSUE	JP	10/08/04



GENERAL NOTES
MANUFACTURED FROM 316L STAINLESS STEEL THROUGHOUT.
TOP & BOTTOM DISHES, TUBES AND TUBE JUNCTION PIECES ALL SATIN POLISHED.
EMBLEM FINISHED IN GOLD LEAF BY BENSON-SEDGWICK

1-OFF ENTRANCE GLOBE SCULPTURE
IBEX INTERIORS LTD
BAT GLOBE HOUSE

BENSON-SEDGWICK ENGINEERING LTD
Selinas Lane . Dagenham . Essex . RM8 1QE
Telephone: 020 8593 0212 - 020 8593 7314 Fax: 020 8592 8240
Email: mail@benson-sedgwick.co.uk Web: www.benson-sedgwick.co.uk

Drawn : JP Date : 30/07/03 Dimensions : mm
Checked : Date : Scale : 1:5
Drg. No. 16406 Sheet No. 1 Rev. E