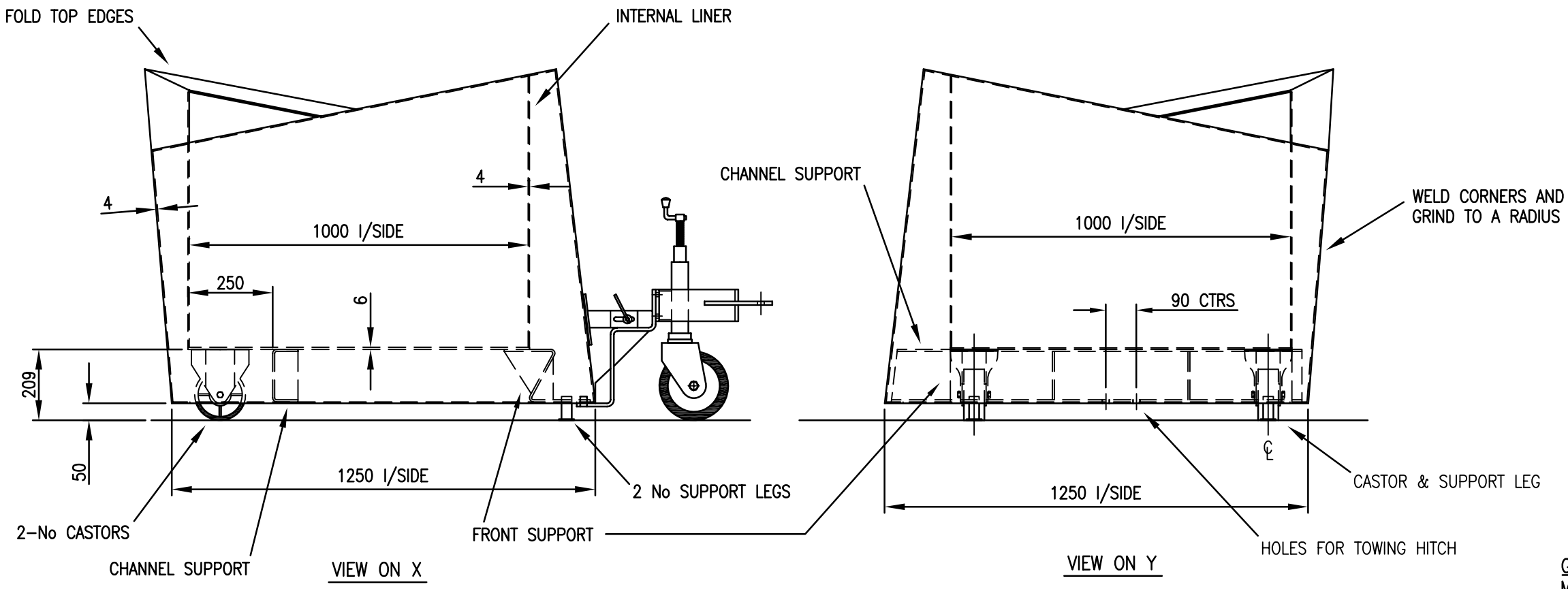
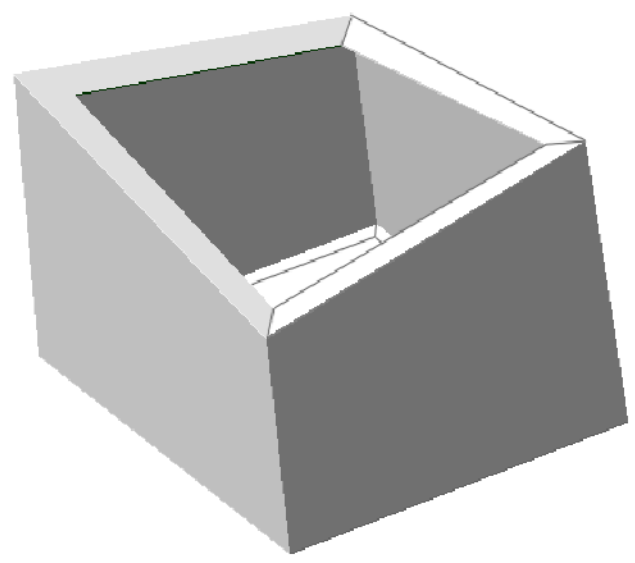
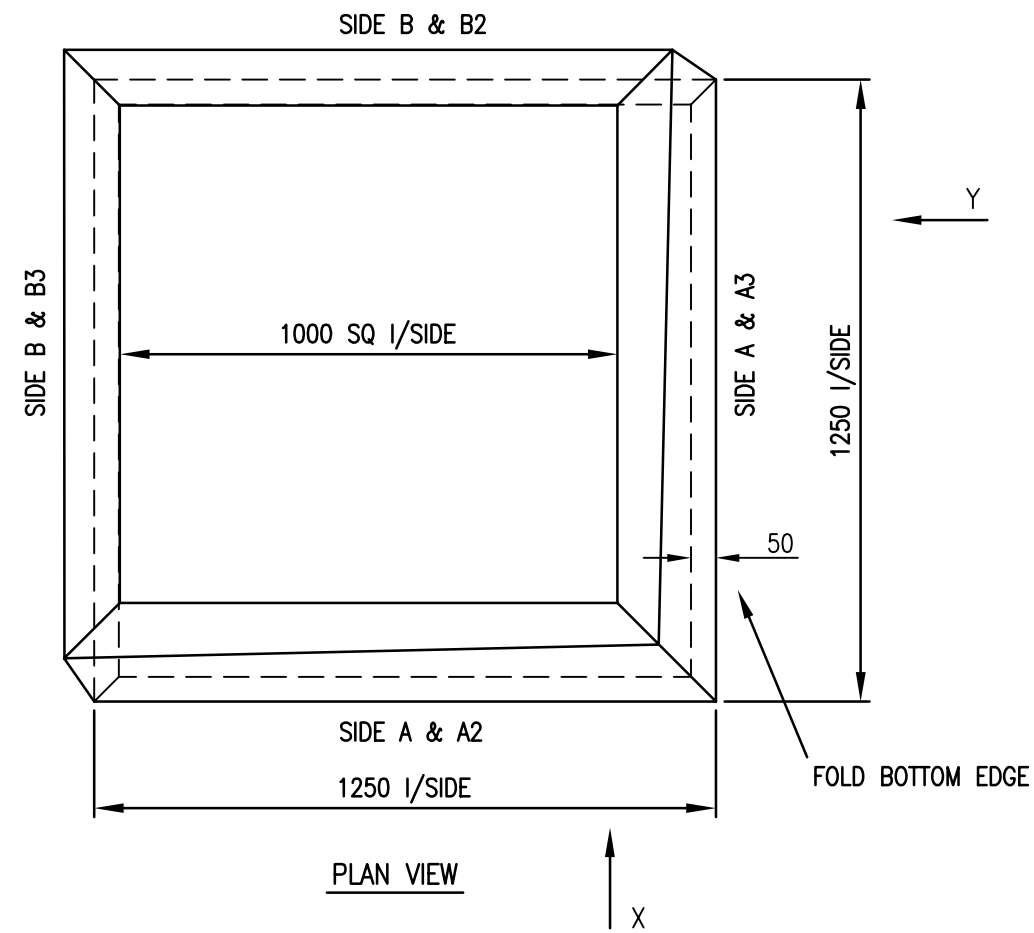


THIS DRAWING IS THE PROPERTY OF BENSON-SEDGWICK ENG LTD.
IT IS A CONFIDENTIAL DOCUMENT AND MUST NOT BE COPIED, USED
OR ITS CONTENTS DIVULGED WITHOUT PRIOR WRITTEN CONSENT

REV.	DESCRIPTION	DRN.	DATE
A	ISSUED FOR APPROVAL	JP	24/11/03



GENERAL NOTES
MANUFACTURED FROM 316L STAINLESS STEEL, UNLESS OTHERWISE STATED.
FINISH: ORBITAL SAND EXTERNALLY



SCHEMATIC

5-OFF STAINLESS STEEL PLANTERS
SLOANE SQUARE
THE FOUNTAIN WORKSHOP

BENSON-SEDGWICK ENGINEERING LTD
Selinas Lane . Dagenham . Essex . RM8 1QE
Telephone: 020 8593 0212 - 020 8593 7314 Fax: 020 8592 8240
Email: mail@benson-sedgwick.co.uk Web: www.benson-sedgwick.co.uk

Drawn : JP	Date : 24/11/03	Dimensions : mm
Checked :	Date :	Scale : 1:1
Drng. No.	Sheet No.	Rev.
16572	1	A